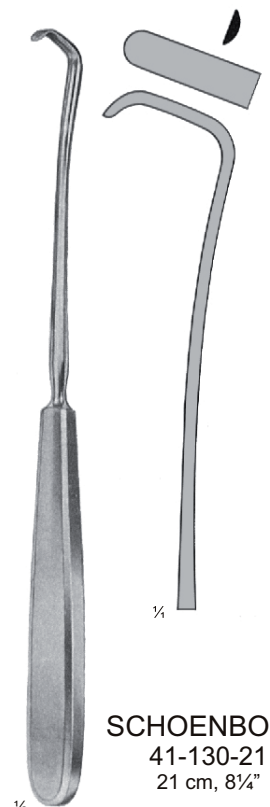
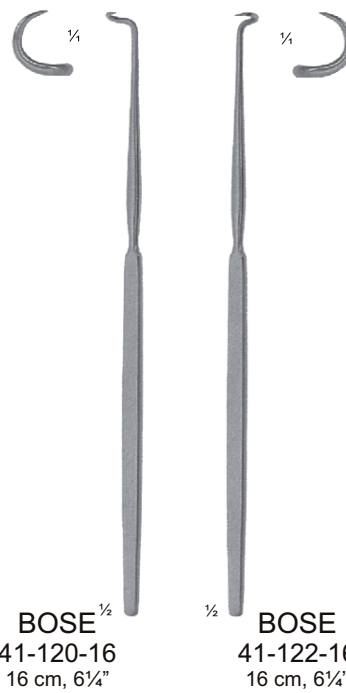
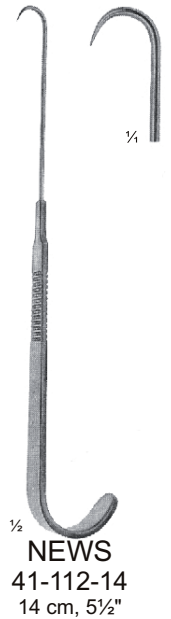
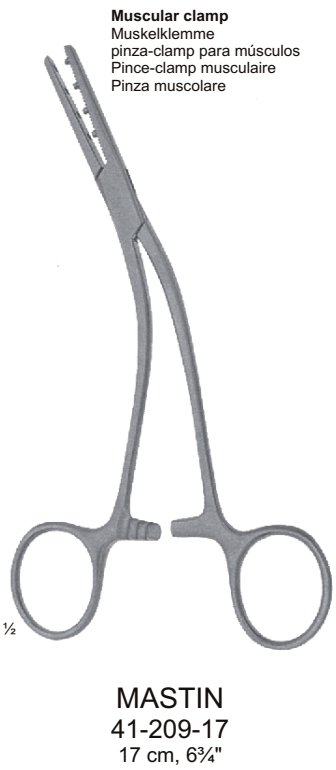
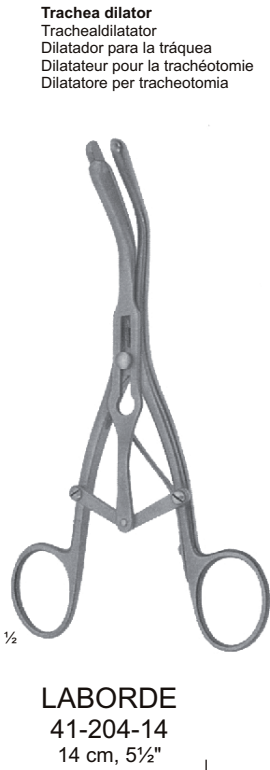


041



Tracheotomy
Tracheotomie
Traqueotomia
Trachéotomie
Tracheotomia





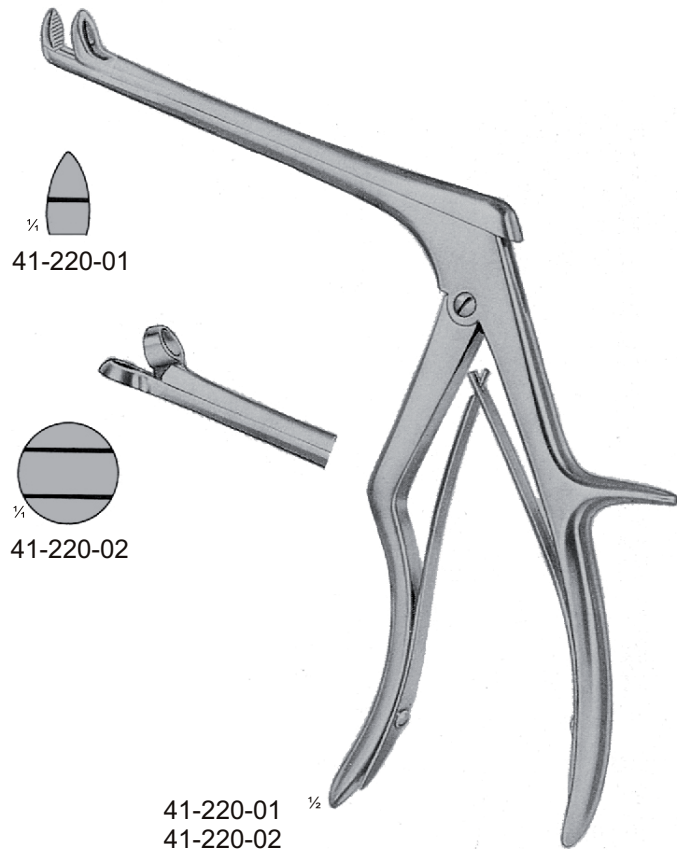
Director-enucleator
 Kropfsonde
 Sonda para bocio
 Spatule à goitre
 Sonda per gozzo

KOCHER
 15-711-15
 15 cm, 6"



Director-enucleator
 Kropfsonde
 Sonda para bocio
 Spatule à goitre
 Sonda per gozzo

KOCHER
 15-713-18
 18 cm, 7"



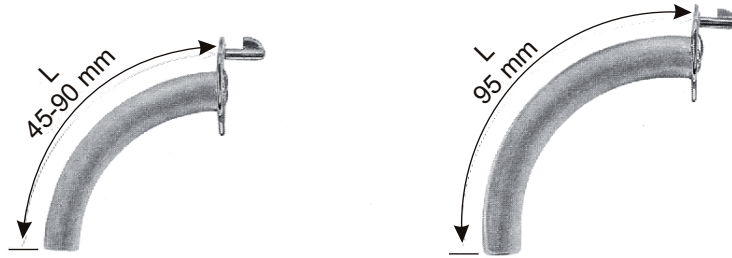


Fig.	0	1	2	3	4	5	6	7	8	9
∅ mm	④	⑤	⑥	⑦	⑧	⑨	⑩	⑪	⑫	⑬

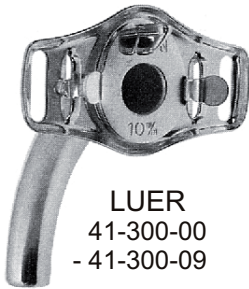


Fig.	∅ mm	L mm	German silver Neusilber Plata meneses Argent blanc Argento bianco	Silver Silber Plata Argent Argento	Fig.	∅ mm	L mm	German silver Neusilber Plata meneses Argent blanc Argento bianco	Silver Silber Plata Argent Argento
0	4	45	41-300-00	41-102-00	5	9	70	41-300-06	41-102-05
1	5	50	41-300-01	41-102-01	6	10	75	41-300-07	41-102-06
2	6	55	41-300-02	41-102-02	7	11	80	41-300-08	41-102-07
3	7	60	41-300-03	41-102-03	8	12	85	41-300-09	41-102-08
4	8	65	41-300-04	41-102-04	9	13	90		41-102-09

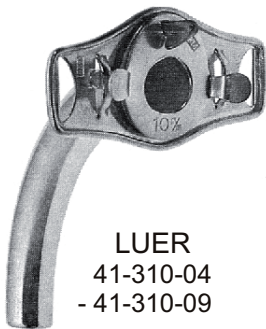


Fig.	∅ mm	L mm	German silver Neusilber Plata meneses Argent blanc Argento bianco	Silver Silber Plata Argent Argento	Fig.	∅ mm	L mm	German silver Neusilber Plata meneses Argent blanc Argento bianco	Silver Silber Plata Argent Argento
4	8	95	41-310-04	41-112-04	7	11	95	41-310-07	41-112-07
5	9	95	41-310-05	41-112-05	8	12	95	41-310-08	41-112-08
6	10	95	41-310-06	41-112-06	9	13	95	41-310-09	41-112-09

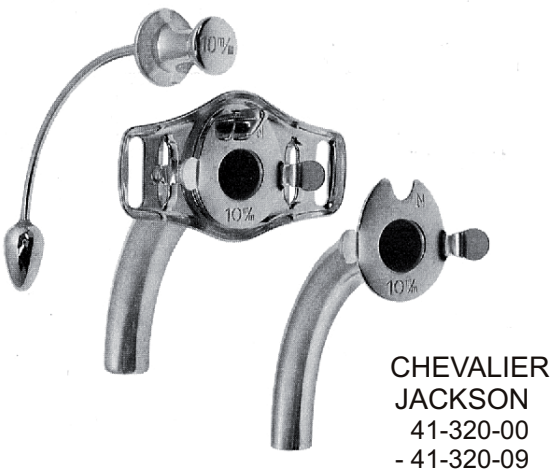


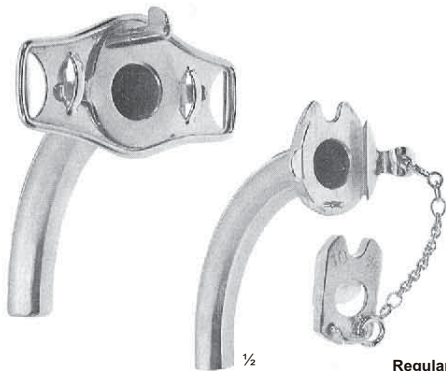
Fig.	∅ mm	L mm	German silver Neusilber Plata meneses Argent blanc Argento bianco	Silver Silber Plata Argent Argento	Stainless steel 18/8 Rostfreier stahl 18/8 Acero inoxidable 18/8 Acier inox 18/8 Acciaio inox 18/8
0	4	45	41-320-00	41-122-00	41-124-00
1	5	50	41-320-01	41-122-01	41-124-01
2	6	55	41-320-02	41-122-02	41-124-02
3	7	60	41-320-03	41-122-03	41-124-03
4	8	65	41-320-04	41-122-04	41-124-04
5	9	70	41-320-05	41-122-05	41-124-05
6	10	75	41-320-06	41-122-06	41-124-06
7	11	80	41-320-07	41-122-07	41-124-07
8	12	85	41-320-08	41-122-08	41-124-08
9	13	90	41-320-09	41-122-09	41-124-09



Regular radius
 Normalradius
 Radio normal
 Rayon normal
 Raggio normale

Fig.	ø mm	L mm	German silver Neusilber Plata meneses Argent blanc Argento bianco
4	8	65	41-330-04
5	9	70	41-330-05
6	10	75	41-330-06
7	11	80	41-330-07
8	12	85	41-330-08
9	13	90	41-330-09

Valve speaking tubes, with detachable round valve
 Ventil-Sprechkanülen mit rundem aufsteckventil
 Cánulas traqueales con válvula para hablar, redonda
 Canules parlantes avec soupape ronde amovible
 Canule parlante con valvola rotonda mobile

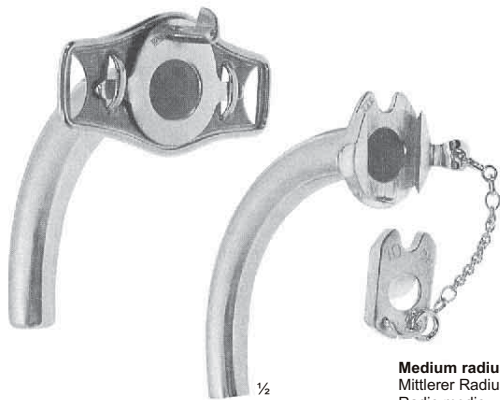


Regular radius
 Normalradius
 Radio normal
 Rayon normal
 Raggio normale

Fig.	ø mm	L mm	German silver Neusilber Plata meneses Argent blanc Argento bianco	Silver Silber Plata Argent Argento
4	8	65	41-140-04	41-340-04
5	9	70	41-140-05	41-340-05
6	10	75	41-140-06	41-340-06
7	11	80	41-140-07	41-340-07
8	12	85	41-140-08	41-340-08
9	13	90	41-140-09	41-340-09

Valve speaking tubes, inner tube with sliding valve

Ventil-Sprechkanülen, Innenrohr mit schiebeventil
 Cánulas traqueales con válvula para hablar, cánula interior con válvula de corredera
 Canules parlantes, tube intérieur avec soupape à coulisse
 Canule parlanti, tubo interno con valvola scorrevole



Medium radius
 Mittlerer Radius
 Radio medio
 Rayon moyen
 Raggio medio

Fig.	ø mm	L mm	German silver Neusilber Plata meneses Argent blanc Argento bianco
4	8	95	41-350-04
5	9	95	41-350-05
6	10	95	41-350-06
7	11	95	41-350-07
8	12	95	41-350-08
9	13	95	41-350-09

Valve speaking tubes, inner tube with sliding valve

Ventil-Sprechkanülen, Innenrohr mit schiebeventil
 Cánulas traqueales con válvula para hablar, cánula interior con válvula de corredera
 Canules parlantes, tube intérieur avec soupape à coulisse
 Canule parlanti, tubo interno con valvola scorrevole

ø 12 mm



1/2

41-360-26
 26 cm 10 1/4"

Cleaning brush for trachea tubes

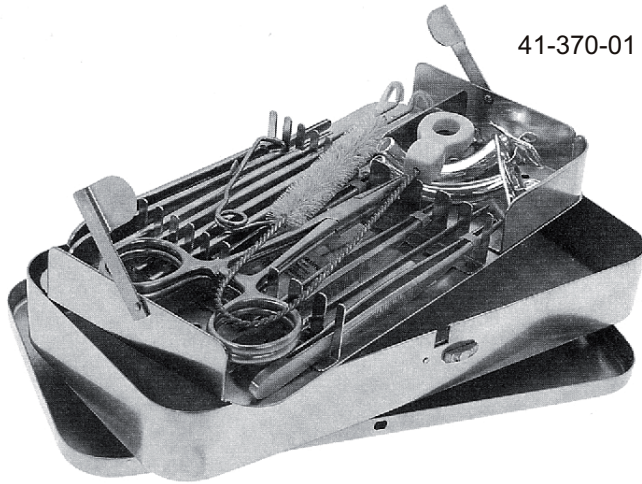
Reinigungsbürste für trachealkanülen
 Cepillo de limpieza para cánulas traqueales
 Brosse à nettoyer les canules trachéales
 Spazzolino per pulire per cannule tracheali



Tracheotomy Set
 Tracheotomiebesteck
 Juego Para traqueotomía
 Jeu d'instruments pour trachéotomie
 Set per tracheotomia



041



41-370-01

41-370-01

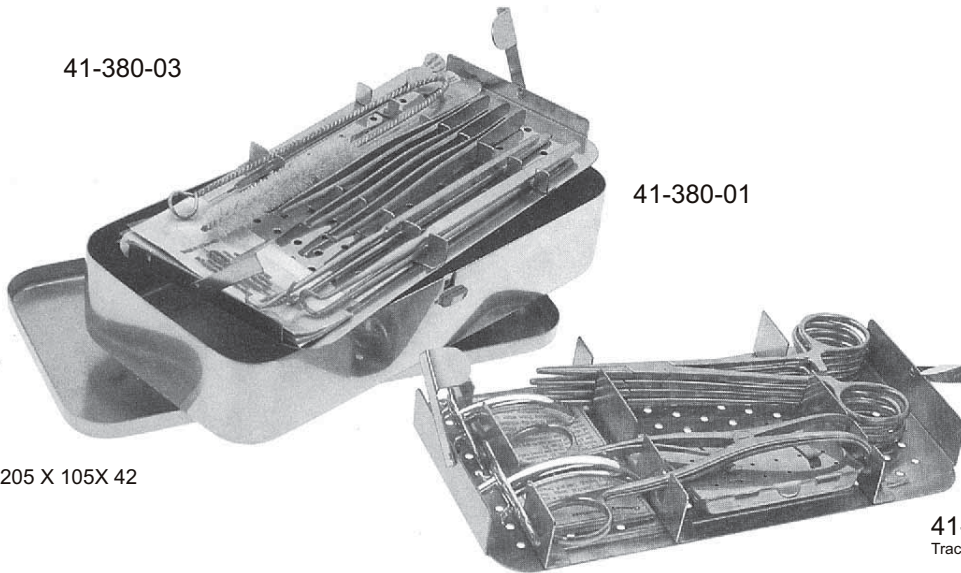
205 X 105X 30

41-370-00

Tracheotomy set, complete, consisting of:

- 41-370-01 1 Rack
- 41-370-02 1 Metal case
- 05-370-04 2 Handles No. 4
- 05-150-20 1 Blade fig. 20
- 05-150-23 1 Blade fig. 23
- 11-316-13 2 PEAN Artery forceps, 13 cm, 5"
- 09-260-13 1 Dissecting forceps, 13 cm, 5"
- 09-461-13 2 Tissue forceps, 13 cm, 5" 1x2 teeth
- 19-132-13 1 Grooved director, 13 cm, 5"
- 17-216-01 2 Trachea retractors, blunt, 16,5 cm, 6½"
- 17-675-07 1 FINSEN retractor, blunt, 7 cm, 2¾"
- 41-120-16 1 BOSE trachea retractor, sharp, left, 16 cm, 6¼"
- 41-122-16 1 BOSE trachea retractor, sharp, right, 16 cm, 6¼"
- 41-300-03 1 LUER trachea tube, fig. 3, ø 7 mm
- 41-300-04 1 LUER trachea tube, fig. 4, ø 8 mm
- 41-360-30 1 Cleaning brush, 30 cm, 12"

41-380-03



41-380-01

41-380-02

205 X 105X 42

41-380-00

Tracheotomy set, complete, consisting of:

- 41-380-01 1 Rack
- 41-380-02 1 Rack
- 41-380-03 1 Metal case
- 05-162-04 1 Handle No. 4
- 05-150-20 1 Blade fig. 20
- 05-150-22 1 Blade fig. 22
- 05-150-23 2 Blades fig. 23
- 11-184-14 4 CRILE Artery forceps, straight, 14 cm, 5½"
- 09-260-13 1 Dissecting forceps, 13 cm, 5"
- 09-461-13 2 Tissue forceps, 13 cm, 5¼" 1x2 teeth
- 19-132-13 1 Grooved director, 13 cm, 5¼"
- 17-216-01 2 Trachea retractors, blunt 16,5 cm, 6½"
- 41-120-16 1 BOSE Trachea retractor, sharp, left, 16,5 cm, 6½"
- 41-122-16 1 BOSE Trachea retractor, sharp, right, 16,5 cm, 6½"
- 41-200-14 1 TROUSSEAU Trachea dilator, 14 cm, 5½"
- 41-300-02 1 LUER Trachea tube, fig. 2, ø 6 mm, German silver
- 41-300-04 1 LUER Trachea tube, fig. 4, ø 8 mm, German silver
- 41-360-30 1 Cleaning brush, 30 cm, 12"